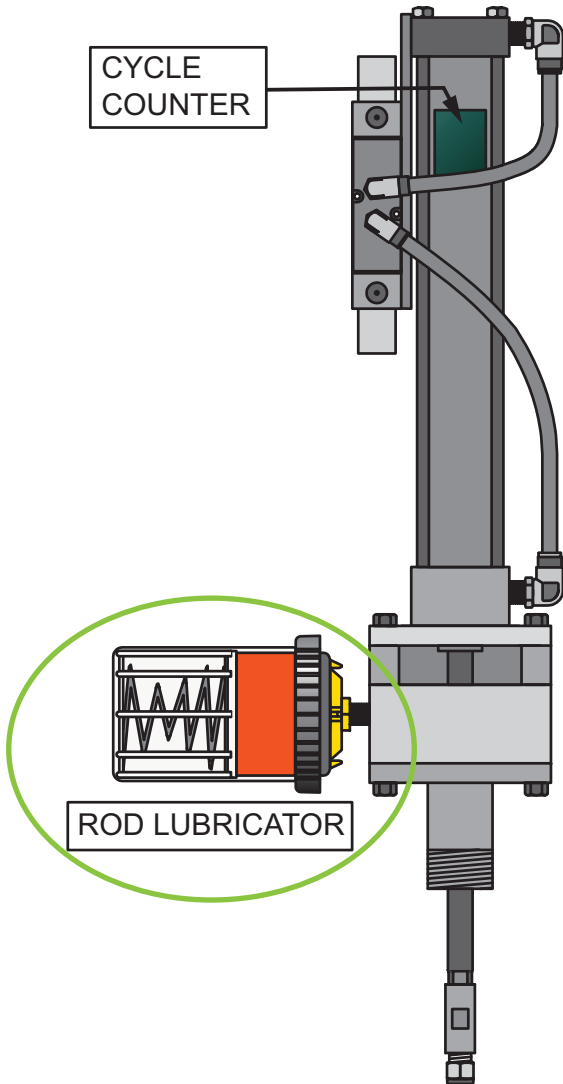


Pneumatic Rod Lubricator



WHAT IS A ROD LUBRICATOR?

The auto-lube is a battery-powered device that injects minute, pre-set amounts of lubricant, usually oil, to the drive rod over long periods of time. It is attached at the stuffing-box seal plate's lube point.

WHY IS IT IMPORTANT?

All drive rods need light lubrication to reduce friction and to protect the seal-plate cartridge from wear as the cartridge scrapes and wipes the rod of particulate contamination from well liquids.

Failure to lubricate, lubricating only sporadically or over lubricating will likely result in severe damage. Stuffing-box seals will wear out more quickly and require replacement. It is the operator's responsibility to maintain a lube program. Improper lubrication may void Blackhawk's warranty on pumps and pump parts.

HOW TO INSTALL

Blackhawk's lubricator screws in at the seal plate's lube point. To activate, install the alkaline battery pack in the unit. Pre-charge all fittings, lube lines and bearings with lubricant ordered. Install fitting (1, 3, 6 or 12-month), and screw into plate.



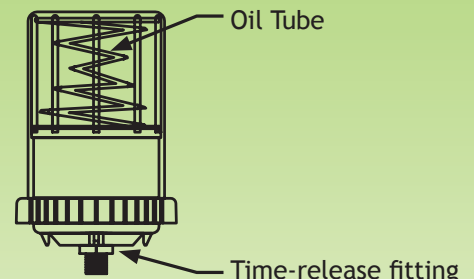
The screw-in cartridge is made from recycled polymer and can be replaced in 60 seconds. Users choose from four time-release settings, up to 12 months. The auto lube operates to 140 psi.

Blackhawk recommends

Also placing a cylinder oiler immediately before air enters the driver. Together, the oiler and the rod lubricator above-ground moving parts are protected from seizing and premature wear to extend pump life.

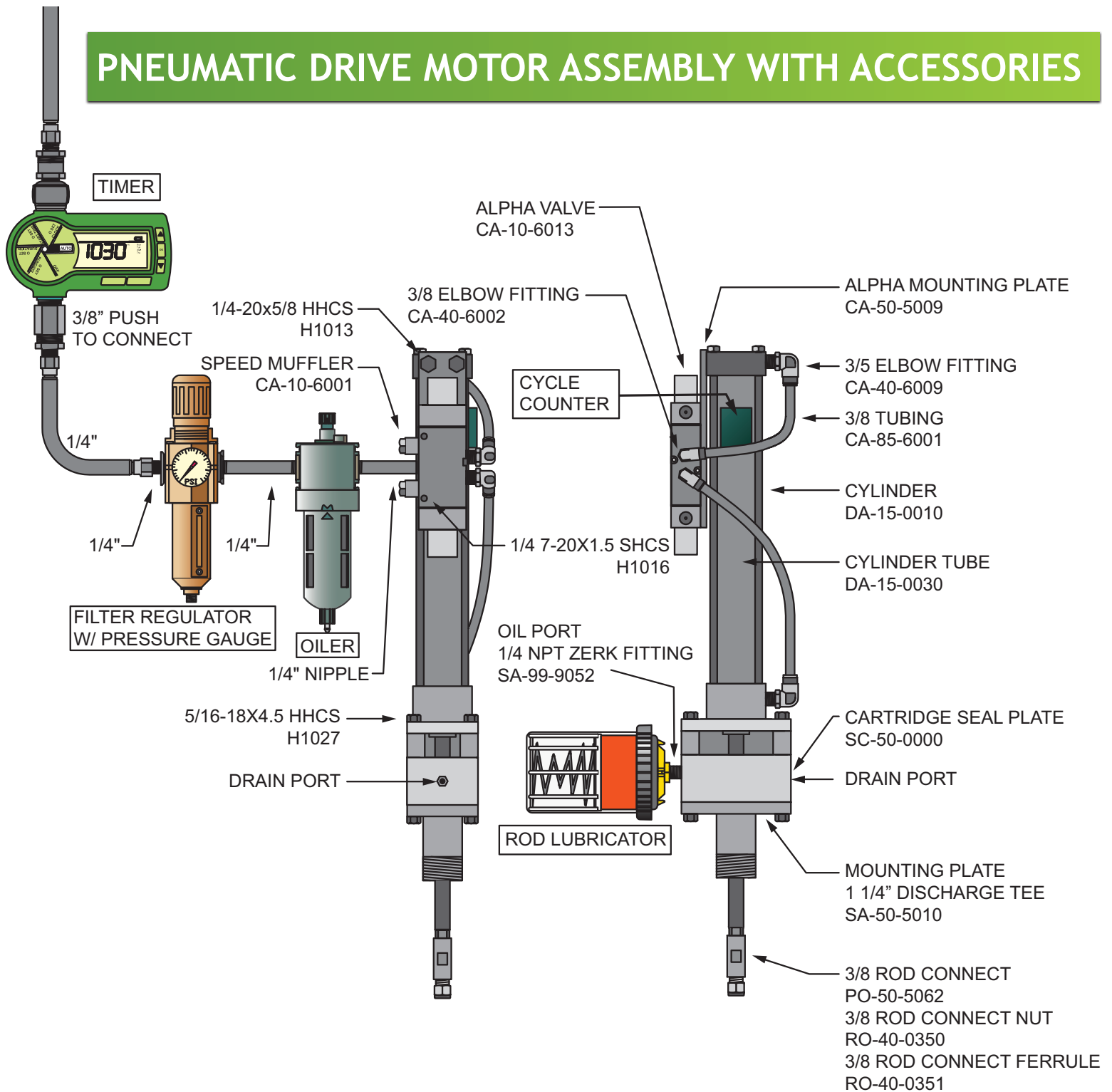
How It Works

Employing system technology based on positive-displacement pumping and powered by common alkaline batteries, the auto lube ejects tiny amounts of oil or grease from a tube in the unit dome. Users choose one of the four special fittings, tailored for pumping requirements, to program-control the rate of release with each stroke. When empty, the inexpensive cartridge is simply unscrewed and replaced.



Pneumatic Rod Lubricator

PNEUMATIC DRIVE MOTOR ASSEMBLY WITH ACCESSORIES



Maximize your investment in Blackhawk Pumps

The best-performing environmental pump in the business

